

Advantage Air Series Model Coding

ADASFS 60-42 B

ADVANTAGE LINE MODEL

AIR-COOLED TYPE

SILICON RECTIFIER TYPE

AC INPUT

A - 115 VAC F - 115/230 VAC
 B - 208 VAC G - 230/460 VAC
 C - 230 VAC H - 600 VAC
 D - 416 VAC Z - OTHER INPUT
 E - 460 VAC CONSULT
 FACTORY

AC PHASE

S - SINGLE PHASE
 T - THREE PHASE

DC VOLTAGE RATING

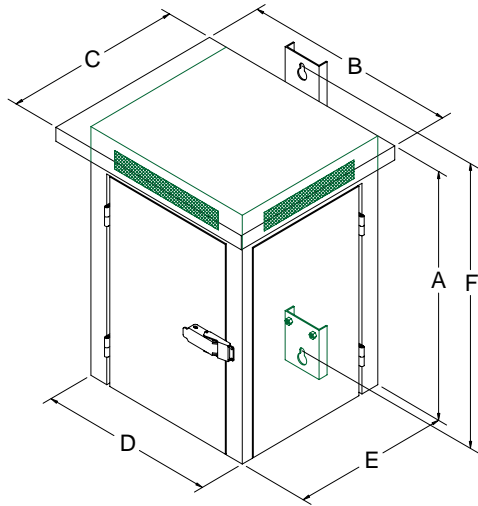
DC CURRENT RATING

COMMON OPTIONAL FEATURES

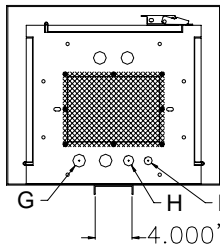
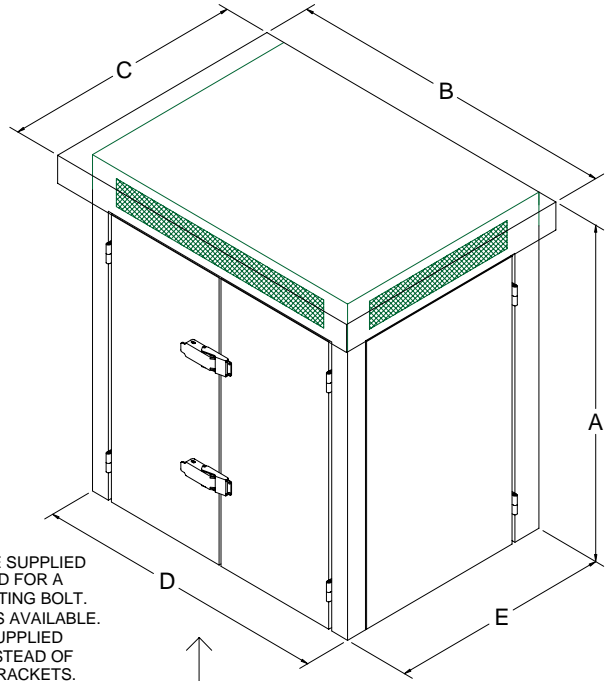
- A - ALARM CIRCUIT **
- B - BASE MOUNTING LEGS (12" Typical) **
- D - UPGRADED DIODE VOLTAGE (PIV) RATING
- E - EFFICIENCY FILTER (CHOKE)
- F - NON-STANDARD ENCLOSURE FINISH **
- G - GFI CONVENIENCE OUTLET **
- I - INTERRUPTER CIRCUIT
- J - NON-STANDARD AC INPUT FREQUENCY (50 Hz.)
- L - NON-STANDARD DC LUG TERMINALS **
- M - EXTRA RECTIFIER METER **
- N - AUXILIARY NEGATIVE OUTPUT CIRCUIT **
- O - METER SWITCH **
- P - AUXILIARY POSITIVE OUTPUT CIRCUIT **
- Q - NON-STANDARD TRANSFORMER ADJUSTMENT **
- R - POTENTIAL METER
- T - EXTENDED TEMPERATURE RATING
- X - EXPORT CRATING
- Y - SPECIAL TEST, DOCUMENT OR LABEL REQUIREMENT
- Z - NON-LISTED OPTIONAL FEATURE (consult factory)

** - Option details available on Website: www.irtrectifier.com

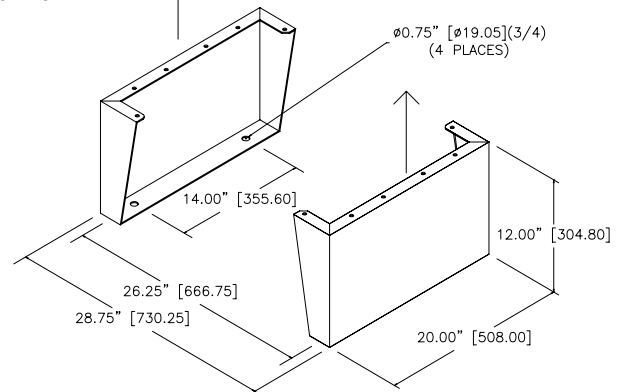
TYPICAL A-2 OR A-3 SIZE ENCLOSURE



TYPICAL A-4 SIZE ENCLOSURE



NOTE: A-2 & A-3 ENCLOSURES ARE SUPPLIED WITH (2) KEYHOLES SIZED FOR A MAXIMUM 5/8 (0.625") MOUNTING BOLT. OPTIONAL BASE MOUNTING IS AVAILABLE. A-4 ENCLOSURES ARE SUPPLIED WITH BASE MOUNTING INSTEAD OF WALL / POLE MOUNTING BRACKETS.



ENCL. SIZE	ENCLOSURE DIMENSIONS (")								
	A	B	C	D	E	F	G	H	I
A-2	26.625	23.25	19.25	19.00	17.00	30.50	1.375 (4) 1" KO	1.125 (1) 3/4" KO	0.875 (1) 1/2" KO
A-3	32.625	26.25	24.25	22.00	22.00	36.50	1.375 (4) 1" KO	1.125 (1) 3/4" KO	0.875 (1) 1/2" KO
A-4	36.00	36.25	26.25	32.00	24.00	N/A	1.984 (4) 1 1/2" KO	1.375 (1) 1" KO	1.125 (1) 3/4" KO